

NOCCHI EASY20/Multi EVO

PRESSURE BOOSTER UNIT WITH TWO ELECTRIC PUMPS WITH PRESSURE SWITCH CONTROL

NEW 2016
PENTAIR

**IE3
MOTOR**

COMPACT, ROBUST, HIGH HYDRAULIC PERFORMANCE

These are units for the automatic pressurization of water supply networks with single phase electrical power supply composed of: 2 electric pumps, power board, base, intake and outlet manifold, pressure switches, gauge and outlet retainer valve.

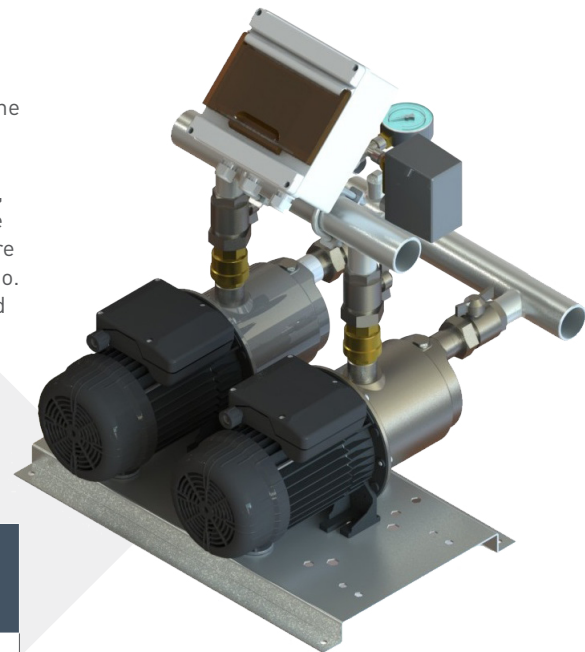
DESCRIPTION OF OPERATION

The pumps are controlled by two pressure switches with adjustable calibration, through a power board fitted with an electronic card:

- to sequentially start the pumps
- to invert the start order
- to protect against motion when dry
- with timing feature (adjustable from 0 to 180")

When the network pressure reaches the value triggering the closure of pressure switch no. 1, the first pump is started. If the pressure continues to fall, when the

pressure reaches the value triggering the closure of the second pressure switch, the other pump starts. When the network pressure rises, the pressure switches open, causing the relative pump to stop. At the end of each cycle, the inverter automatically changes the pump starting order (one time pressure switch no. 1 is associated with pump no. 1; in the next cycle it will be associated with pump no. 2).



USE DATA	MULTIEVO
Maximum flow (m ³ /h)	21
Maximum head (m.c.a.)	70
Maximum operating pressure	8 bar
Power supply voltage	1 ~ 230 / 3-400 V
Frequency	50 Hz
Protection class control board	IP55
Protection class electric pump	IP55
Room temperature	40°C
Number of pumps	2



APPLICATIONS

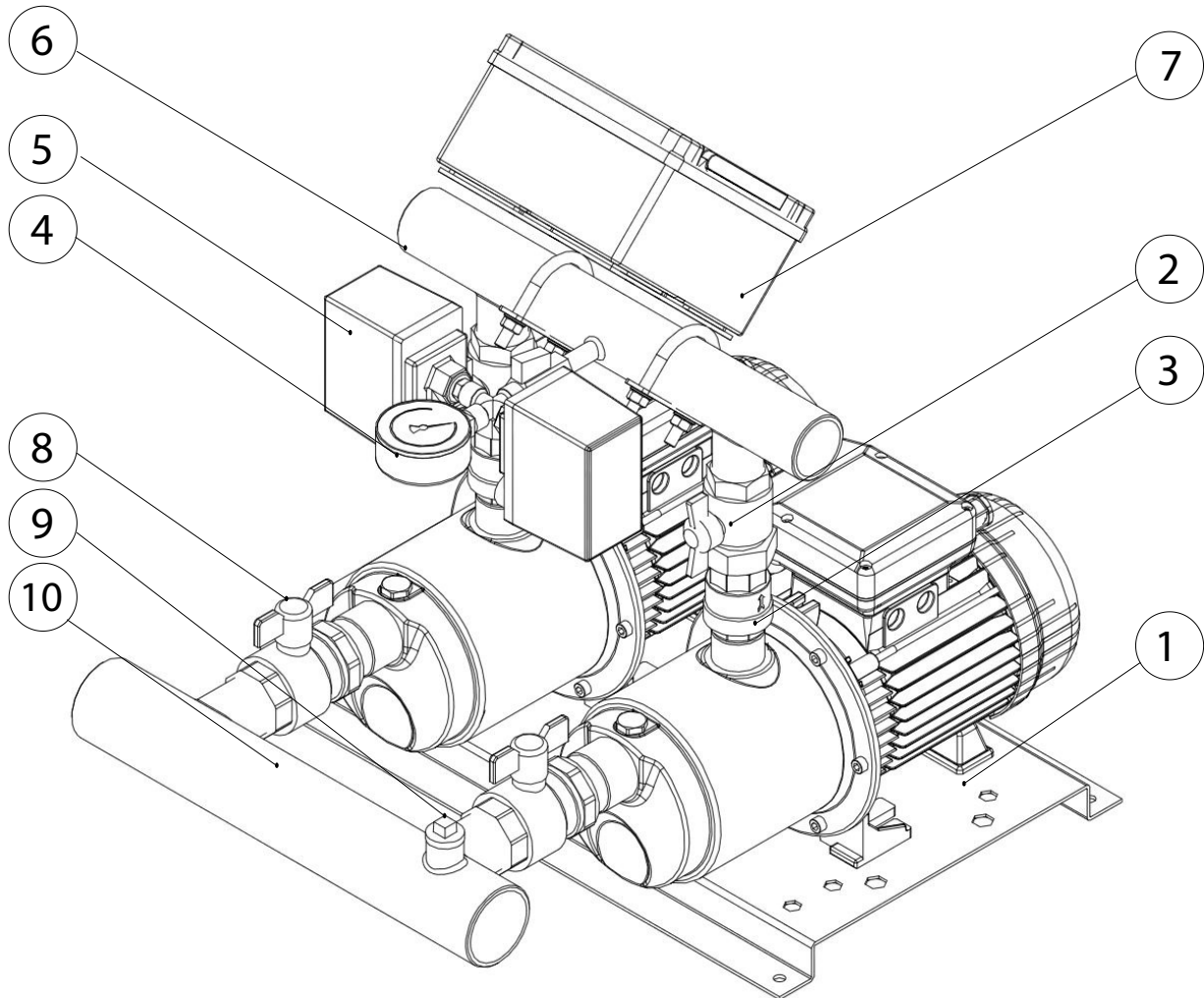
- Lifts and distributes water in domestic systems
- Pressurization systems
- Cleaning systems
- Irrigation



NOCCHI EASY20/Multi EVO

PRESSURE BOOSTER UNIT WITH TWO ELECTRIC PUMPS WITH PRESSURE SWITCH CONTROL

DESIGN FEATURES



BASE

- 1. Base in zinc-coated sheet metal

OUTLET MANIFOLD

- 2. no. 2 brass ball valves
- 3. no. 2 retainer valves
- 4. no. 1 gauge
- 5. no. 2 pressure switches
- 6. no. 1 manifold in zinc-coated steel
- 7. no. 1 power board

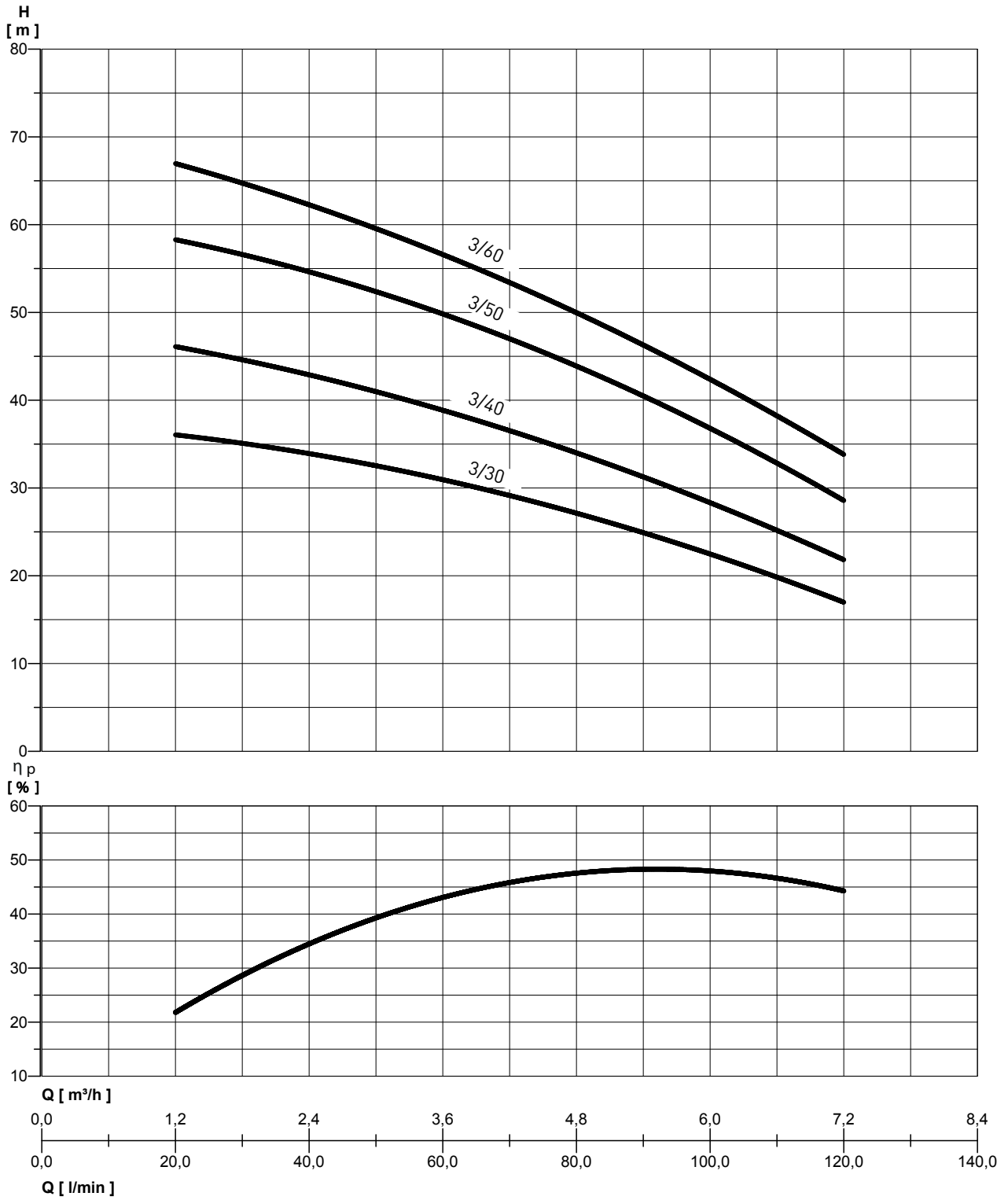
INTAKE MANIFOLD

- 8. no. 2 brass ball valves
- 9. no. 1 water intake sleeve
- 10. no. 1 manifold in zinc-coated steel

NOCCHI EASY20/Multi EVO 3

PRESSURE BOOSTER UNIT WITH TWO ELECTRIC PUMPS WITH PRESSURE SWITCH CONTROL

HYDRAULIC PERFORMANCE



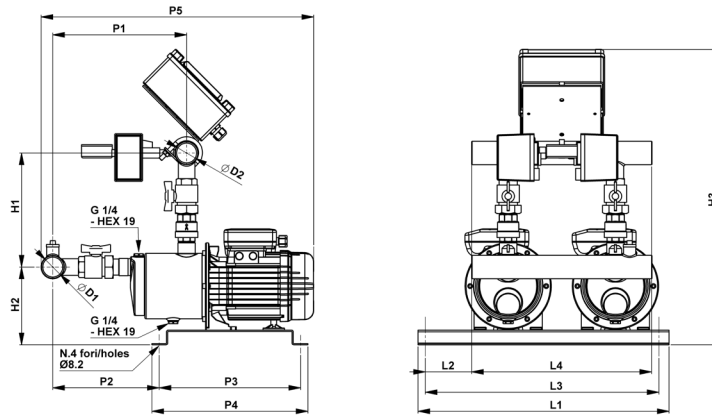
NOCCHI EASY20/Multi EVO 3

PRESSURE BOOSTER UNIT WITH TWO ELECTRIC PUMPS WITH PRESSURE SWITCH CONTROL

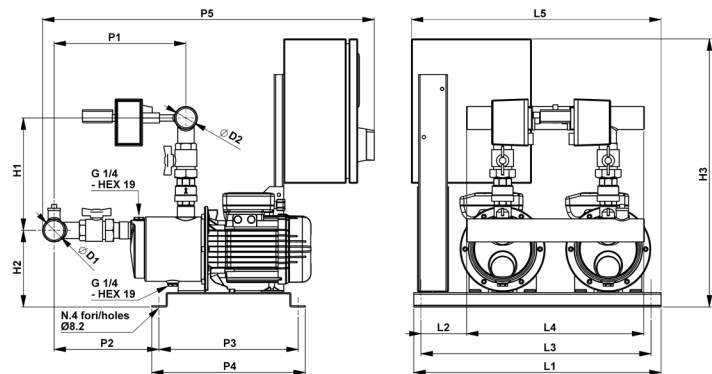
PERFORMANCE TABLE

MODEL	Absorbed power (P1) kW	Voltage (V)	In (A)	µF	Q	Total head in metres water column						
						l/min	40	60	80	100	120	
						20	40	60	80	100	120	
						m ³ /h	1,2	2,4	3,6	4,8	6	7,2
EASY20/Multi EVO 3-30 M-GI	2 x 0.65	1 ~ 230	2 x 2.95	12,5	total head in metres water column	36	34	31	27	22,5	17	
EASY20/Multi EVO 3-30 T-GI	2 x 0.65	3 ~ 400	2 x 1.3	---		46	43	39	34	28	22	
EASY20/Multi EVO 3-40 M-GI	2 x 0.8	1 ~ 230	2 x 3.7	12,5		58	55	50	44	36	29	
EASY20/Multi EVO 3-40 T-GI	2 x 0.78	3 ~ 400	2 x 1.55	---		67	62	57	50	42	34	
EASY20/Multi EVO 3-50 M-GI	2 x 1	1 ~ 230	2 x 4.4	16								
EASY20/Multi EVO 3-50 T-GI	2 x 1	3 ~ 400	2 x 1.9	---								
EASY20/Multi EVO 3-60 M-GI	2 x 1.25	1 ~ 230	2 x 5.8	20								
EASY20/Multi EVO 3-60 T-GI	2 x 1.17	3 ~ 400	2 x 2	---								

single phase



three-phase



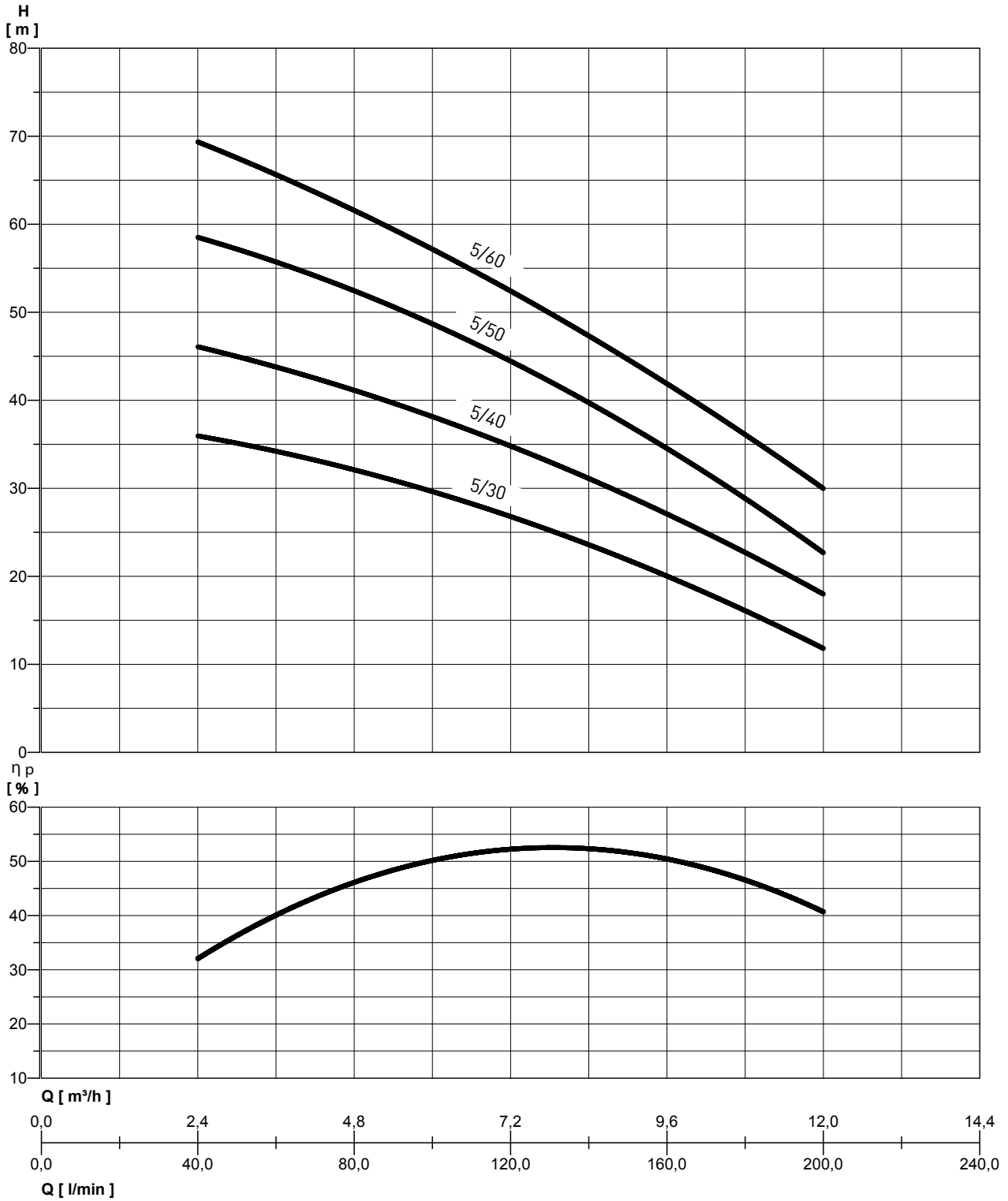
OVERALL DIMENSIONS AND WEIGHTS

MODEL	Dimensions mm.															Weight (Kg)
	L1	L2	L3	L4	L5	P1	P2	P3	P4	P5	H1	H2	H3	DNA	DNM	
EASY20/Multi EVO 3-30 M-GI	515	95	485	370	x	255	196	290	320	525	235	160	605	1"1/2	1"1/2	31
EASY20/Multi EVO 3-30 T-GI	515	95	485	370	520	255	196	290	320	670	235	160	560	1"1/2	1"1/2	37
EASY20/Multi EVO 3-40 M-GI	515	95	485	370	x	255	196	290	320	525	235	160	605	1"1/2	1"1/2	32
EASY20/Multi EVO 3-40 T-GI	515	95	485	370	520	255	196	290	320	670	235	160	560	1"1/2	1"1/2	38
EASY20/Multi EVO 3-50 M-GI	515	95	485	370	x	275	216	290	320	560	235	160	605	1"1/2	1"1/2	36
EASY20/Multi EVO 3-50 T-GI	515	95	485	370	520	275	216	290	320	690	235	160	560	1"1/2	1"1/2	42
EASY20/Multi EVO 3-60 M-GI	515	95	485	370	x	297	238	290	320	580	235	160	605	1"1/2	1"1/2	39,5
EASY20/Multi EVO 3-60 T-GI	515	95	485	370	520	297	238	290	320	715	235	160	560	1"1/2	1"1/2	45,5

NOCCHI EASY20/Multi EVO 5

PRESSURE BOOSTER UNIT WITH TWO ELECTRIC PUMPS WITH PRESSURE SWITCH CONTROL

HYDRAULIC PERFORMANCE



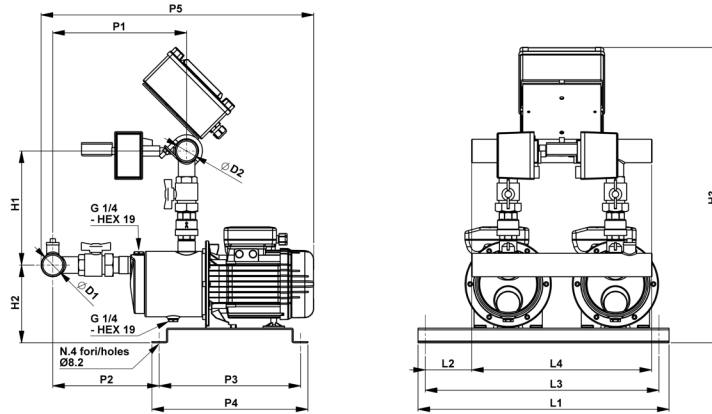
NOCCHI EASY20/Multi EVO 5

PRESSURE BOOSTER UNIT WITH TWO ELECTRIC PUMPS WITH PRESSURE SWITCH CONTROL

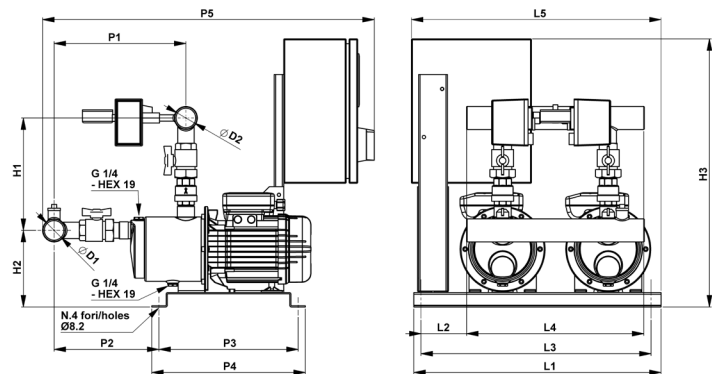
PERFORMANCE TABLE

MODEL	Absorbed power (P1) kW	Voltage (V)	In (A)	µF	Q	U/min	40	60	80	100	120	160	200	
						m ³ /h	2,4	3,6	4,8	6	7,2	9,6	12	
EASY20/Multi EVO 5-30 M-GI	2 x 0.8	1 ~ 230	2 x 3.7	12,5	total head in metres water column		36	34	32	30	27	19,5	12	
EASY20/Multi EVO 5-30 T-GI	2 x 0.78	3 ~ 400	2 x 1.55	---			46	44	41	38	35	27	18	
EASY20/Multi EVO 5-40 M-GI	2 x 1.1	1 ~ 230	2 x 4.7	16			58	56	53	49	44	34	23	
EASY20/Multi EVO 5-40 T-GI	2 x 1.1	3 ~ 400	2 x 2	---			69	66	62	57	52	42	30	
EASY20/Multi EVO 5-50 M-GI	2 x 1.35	1 ~ 230	2 x 6.2	20										
EASY20/Multi EVO 5-50 T-GI	2 x 1.25	3 ~ 400	2 x 2.1	---										
EASY20/Multi EVO 5-60 M-GI	2 x 1.65	1 ~ 230	2 x 7.5	31,5										
EASY20/Multi EVO 5-60 T-GI	2 x 1.57	3 ~ 400	2 x 3.1	---										

single phase



three-phase



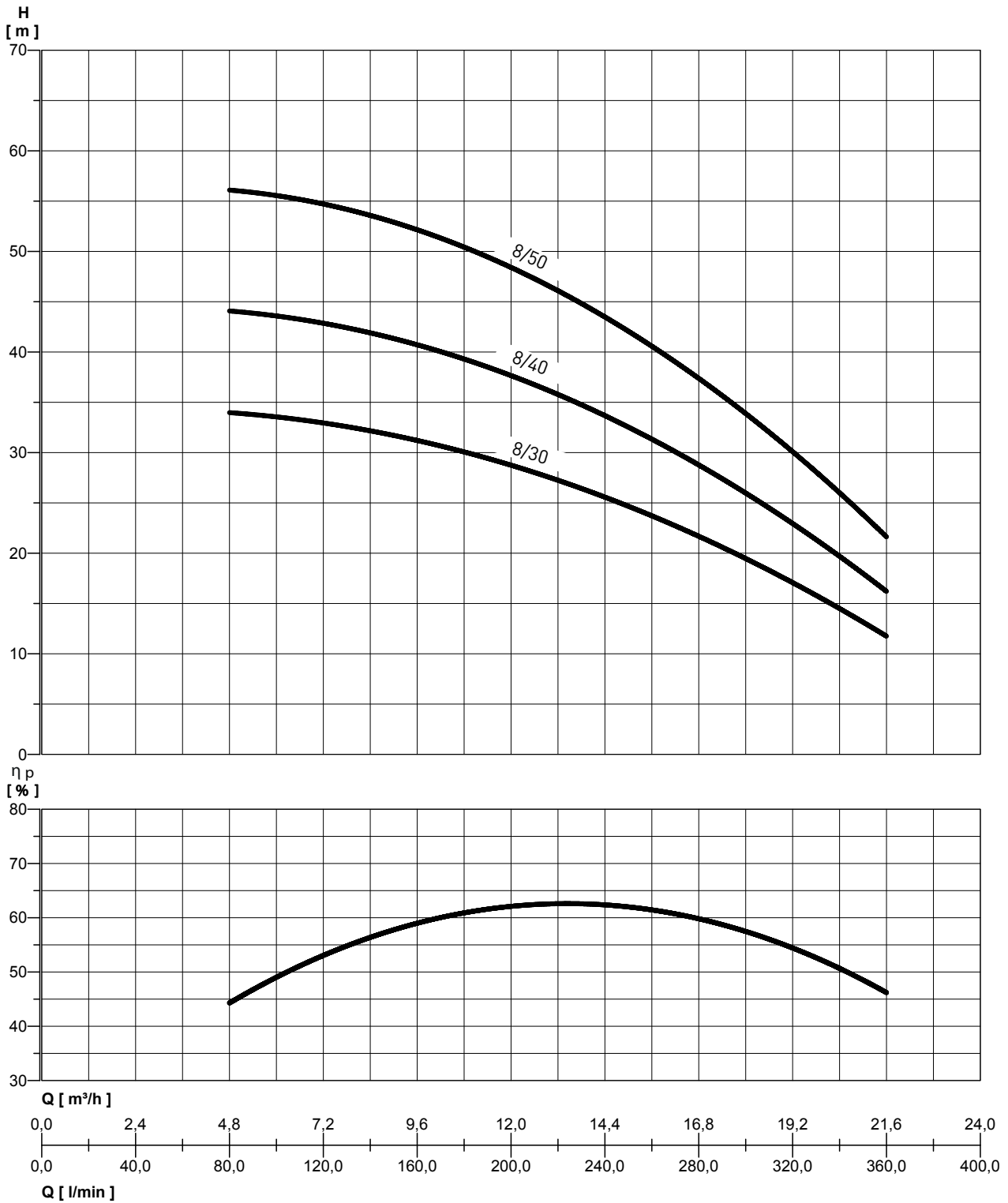
OVERALL DIMENSIONS AND WEIGHTS

MODEL	Dimensions mm.															Weight (Kg)
	L1	L2	L3	L4	L5	P1	P2	P3	P4	P5	H1	H2	H3	DNA	DNM	
EASY20/Multi EVO 5-30 M-GI	515	95	485	370	x	275	222	290	320	550	240	155	605	2"	1"1/2	33,5
EASY20/Multi EVO 5-30 T-GI	515	95	485	370	520	275	222	290	320	695	240	155	560	2"	1"1/2	39,5
EASY20/Multi EVO 5-40 M-GI	515	95	485	370	x	275	222	290	320	560	240	155	605	2"	1"1/2	37
EASY20/Multi EVO 5-40 T-GI	515	95	485	370	520	275	222	290	320	695	240	155	560	2"	1"1/2	43
EASY20/Multi EVO 5-50 M-GI	515	95	485	370	x	300	247	290	320	590	240	155	605	2"	1"1/2	40
EASY20/Multi EVO 5-50 T-GI	515	95	485	370	520	300	247	290	320	695	240	155	560	2"	1"1/2	46
EASY20/Multi EVO 5-60 M-GI	515	95	485	370	x	320	267	290	320	645	240	155	605	2"	1"1/2	46
EASY20/Multi EVO 5-60 T-GI	515	95	485	370	520	320	267	290	320	745	240	155	560	2"	1"1/2	52

NOCCHI EASY20/Multi EVO 8

PRESSURE BOOSTER UNIT WITH TWO ELECTRIC PUMPS WITH PRESSURE SWITCH CONTROL

HYDRAULIC PERFORMANCE



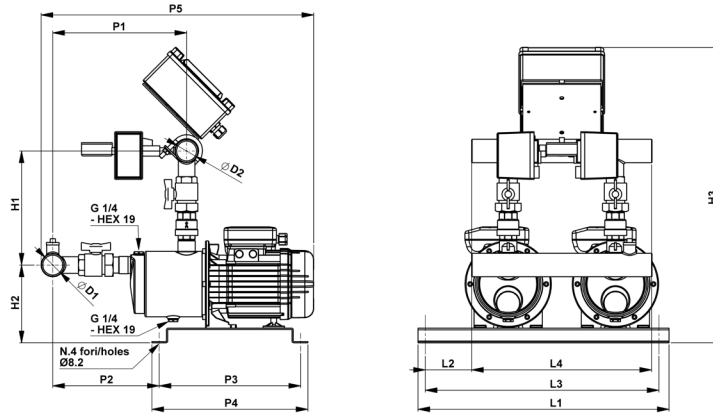
NOCCHI EASY20/Multi EVO 8

PRESSURE BOOSTER UNIT WITH TWO ELECTRIC PUMPS WITH PRESSURE SWITCH CONTROL

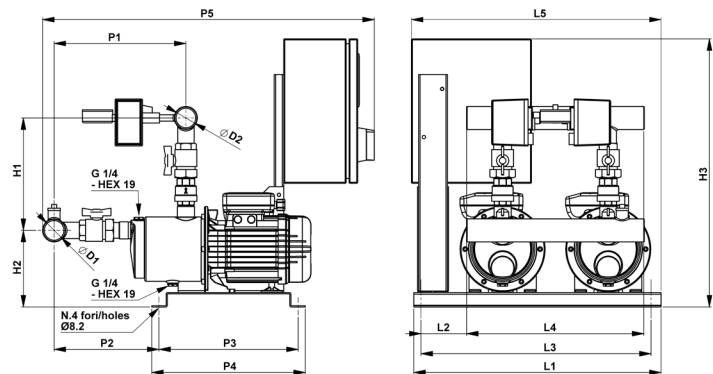
PERFORMANCE TABLE

MODEL	Absorbed power (P1) kW	Voltage (V)	In (A)	µF	Q	total head in metres water column									
						U/min	80	100	120	160	200	240	280	320	360
						m ³ /h	4,8	6	7,2	9,6	12	14,4	16,8	19,2	21,6
EASY20/Multi EVO 8-30 M-GI	2 x 1.28	1 ~ 230	2 x 5.9	20	total head in metres water column	34	33,5	33	31	29	25,5	22	16,5	12	
EASY20/Multi EVO 8-30 T-GI	2 x 1.2	3 ~ 400	2 x 2.1	---		44,5	43,5	42,5	40,5	37,5	34	29	23	16	
EASY20/Multi EVO 8-40 M-GI	2 x 1.66	1 ~ 230	2 x 7.7	31,5		56,5	55,5	54,5	51,5	48,5	44,0	37,5	30,0	21,5	
EASY20/Multi EVO 8-40 T-GI	2 x 1.5	3 ~ 400	2 x 2.95	---											
EASY20/Multi EVO 8-50 M-GI	2 x 2	1 ~ 230	2 x 9	35											
EASY20/Multi EVO 8-50 T-GI	2 x 1.95	3 ~ 400	2 x 4	---											

single phase



three-phase



OVERALL DIMENSIONS AND WEIGHTS

MODEL	Dimensions mm.															Weight (Kg)
	L1	L2	L3	L4	L5	P1	P2	P3	P4	P5	H1	H2	H3	DNA	DNM	
EASY20/Multi EVO 8-30 M-GI	515	95	485	370	x	296	240	290	320	585	292	155	660	2"	2"	42
EASY20/Multi EVO 8-30 T-GI	515	95	485	370	520	296	240	290	320	718	292	155	560	2"	2"	48
EASY20/Multi EVO 8-40 M-GI	515	95	485	370	x	296	240	290	320	620	292	155	660	2"	2"	48
EASY20/Multi EVO 8-40 T-GI	515	95	485	370	520	296	240	290	320	718	292	155	560	2"	2"	54
EASY20/Multi EVO 8-50 M-GI	515	95	485	370	x	325	275	290	320	645	292	155	660	2"	2"	50
EASY20/Multi EVO 8-50 T-GI	515	95	485	370	520	325	275	290	320	745	292	155	560	2"	2"	56